

12
VOLT

GATE OPERATOR ARM BENC

For gate leaves up to 5 m

650ARM225BENC

DC electromechanical linear gate operator with encoder. Maximum gate leaf 3 m

650ARM250BENC

DC electromechanical linear gate operator with encoder. Maximum gate leaf 4 m

650ARM270BENC

DC electromechanical linear gate operator with encoder. Maximum gate leaf 5 m

Features:

- residential / apartment building / commercial use
- for gates leaves up to 5 m
- low voltage DC gate operator
- optical encoder technology
- rod extension gate operator
- adjustable mounting brackets

Pros:

- obstacle detection and crush prevention
- in accordance with EN 12445-12453 standards
- works even during power outage thanks to the optional backup battery
- fast operating speed
- soft start and soft stop
- intensive use, ideal for use on apartment buildings and public entrances
- electrical connections are easier thanks to the larger upper space
- quick and easy installation
- suitable for large gates and non standard sized posts



Easy mounting

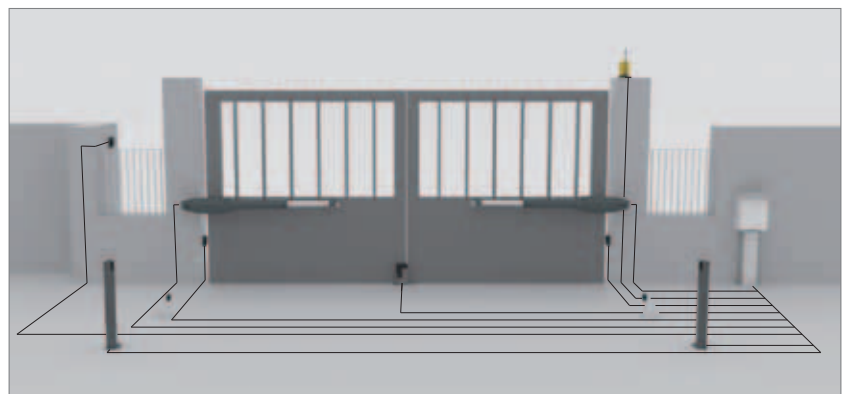
Multi-position adjustable brackets allow greater flexibility during assembly even on non standard sized posts



Manual release with personal key

Easy-to-operate manual release with key lock for the less skilled users

Technical features	ARM225BENC	ARM250BENC	ARM270BENC
Power supply	230 V AC (50 - 60 Hz)	230 V AC (50 - 60 Hz)	230 V AC (50 - 60 Hz)
Motor power supply	18 V DC	18 V DC	18 V DC
Absorption	1,3 A	1,3 A	1,3 A
Absorbed power	24 W	24 W	24 W
Opening time 90°	12 sec.	12,5 sec.	13 sec.
Duty cycle	100 %	100 %	100 %
Max. thrust	2600 N	2600 N	2600 N
Operating temperature	-20° C ÷ +55° C	-20° C ÷ +55° C	-20° C ÷ +55° C
Motor thermal protection	-	-	-
Degree of protection	IP 44	IP 44	IP 44



The above represented installation does not include safety devices such as safety edges. Their addition depends upon the risk assessment made on any installation in accordance with EN 12445-12453 standards.



KARM225BA

Complete double arm automation kit for gates up to 3 + 3 m, with two 650ARM225B gate operators

KARM250BA

Complete double arm automation kit for gates up to 4 + 4 m, with two 650ARM250B gate operators

KARM270BA

Complete double arm automation kit for gates up to 5 + 5 m, with two 650ARM270B gate operators

Accessories included in the kit:

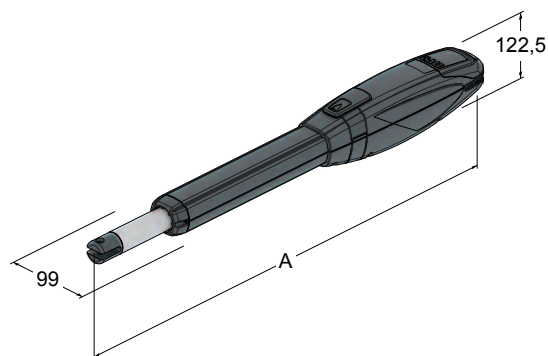


900OPTIC 750D749MA 300T-KEY aluminium + LED TSL 250ANTD 900LAMP4
250K-SLIMRP BRACKETS C-CRT

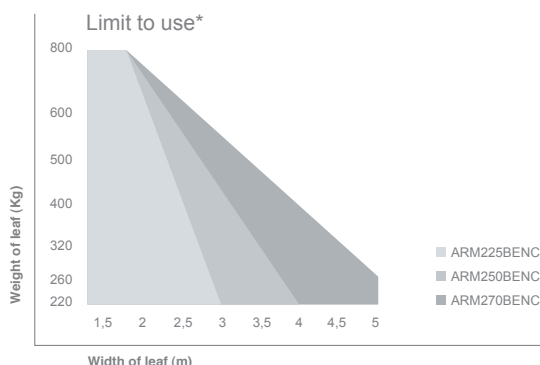
Accessories



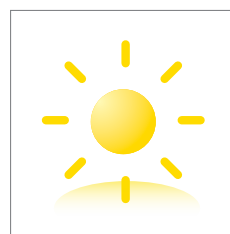
⚠ Use only M-030000CC50 cable or equivalent
 ▶ See page 128 for assembly measurements and opening angle



	A
ARM225BENC	811
ARM250BENC	951
ARM270BENC	1056



*They refer to leaves with openings and not totally closed panels.



Solar power
 Thanks to the Photovoltaic (PV) Technology, every low voltage DC gate operator can be solar powered. Discover the advantages of the solar energy at page 126



Further accessories:
 Transmitters page 106
 Photocells page 112
 Flashing lights page 115

230
VOLT

GATE OPERATOR ARM 225/250/270

For gate leaves up to 5 m



650ARM225

230 V electromechanical linear gate operator.
Maximum gate leaf 3 m

650ARM250

230 V electromechanical linear gate operator.
Maximum gate leaf 4 m

650ARM270

230 V electromechanical linear gate operator.
Maximum gate leaf 5 m

Features:

- residential / commercial use
- for gates leaves up to 5 m
- 230 V gate operator
- built-in capacitor
- rod extension gate operator
- adjustable mounting brackets

Pros:

- electrical connections are easier thanks to the larger upper space
- quick and easy installation
- manual release with key lock
- high torque and power
- suitable for large gates and non standard sized posts

Technical features

	ARM225	ARM250	ARM270
Power supply	230 V AC (50 - 60 Hz)	230 V AC (50 - 60 Hz)	230 V AC (50 - 60 Hz)
Motor power supply	230 V AC	230 V AC	230 V AC
Absorption	1,5 A	1,5 A	1,5 A
Absorbed power	280 W	280 W	280 W
Opening time 90°	20 sec.	20,5 sec.	21 sec.
Duty cycle	36 %	36 %	36 %
Max. thrust	2300 N	2300 N	2300 N
Operating temperature	-20° C ÷ +55° C	-20° C ÷ +55° C	-20° C ÷ +55° C
Motor thermal protection	160° C	160° C	160° C
Degree of protection	IP 44	IP 44	IP 44



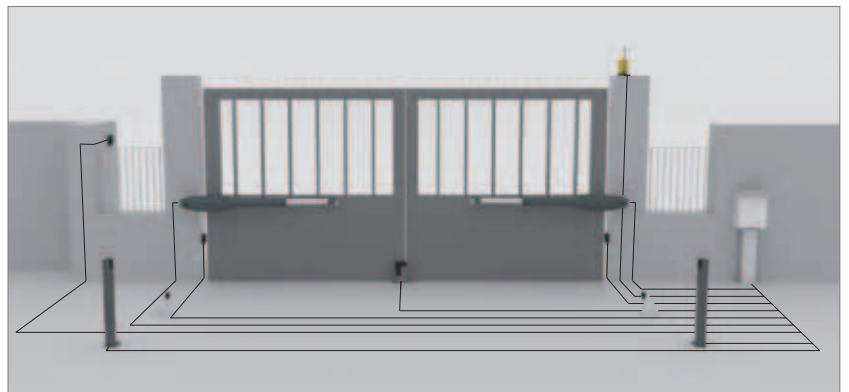
Easy mounting

Multi-position adjustable brackets allow greater flexibility during assembly even on non standard sized posts



Exclusive design

The new shapes adapt to any type of gate and have been designed to simplify installation and maintenance



The above represented installation does not include safety devices such as safety edges. Their addition depends upon the risk assessment made on any installation in accordance with EN 12445-12453 standards.



KARM225T

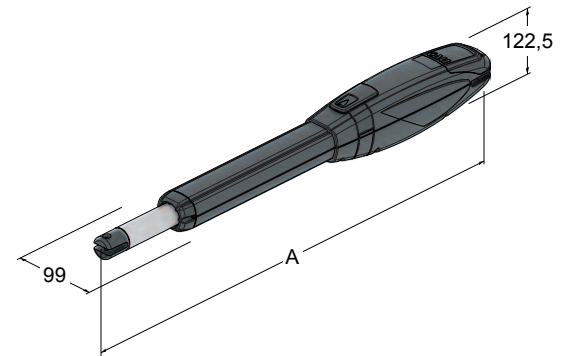
Complete double arm automation kit for gates up to 3 + 3 m, with two 650ARM225 gate operators

KARM250T

Complete double arm automation kit for gates up to 4 + 4 m, with two 650ARM250 gate operators

KARM270T

Complete double arm automation kit for gates up to 5 + 5 m, with two 650ARM270 gate operators



Accessories included in the kit:



Accessories

750D760M
Electronic control unit for one or two 230 V gate operators with soft-stop and built-in 433,92 MHz rolling code radio receiver, complete with enclosure

700BAP
Gate stopper for heavy leaves

750CUP
Control unit enclosure protective lid

700BAP1
Gate stopper for light leaves

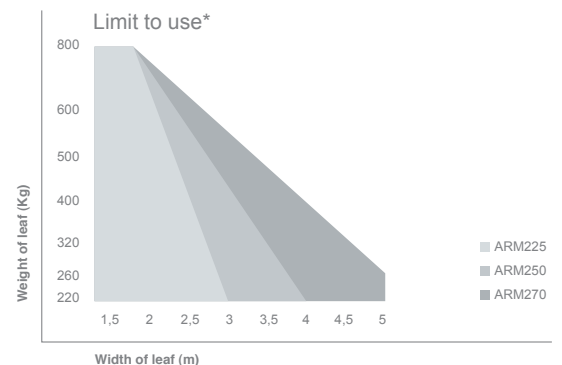
700GS3
Weatherproof cable connector for 3-core 230 V cable

700BAP2
Gate stopper wall/floor mount

650ESV1-2
Electric lock (1 = left hand opening – 2 = right hand opening)

C-TARG
Aluminium CE Mark Label, self adhesive

	A
ARM225	811
ARM250	951
ARM270	1056



*They refer to leaves with openings and not totally closed panels.



Further accessories:
Transmitters page 106
Photocells page 112
Flashing lights page 115

See page 128 for assembly measurements and opening angle