

# EAGLE-1000-FR

## SLIDE GATE OPERATOR

Gate Capacity 27' & 600 lbs

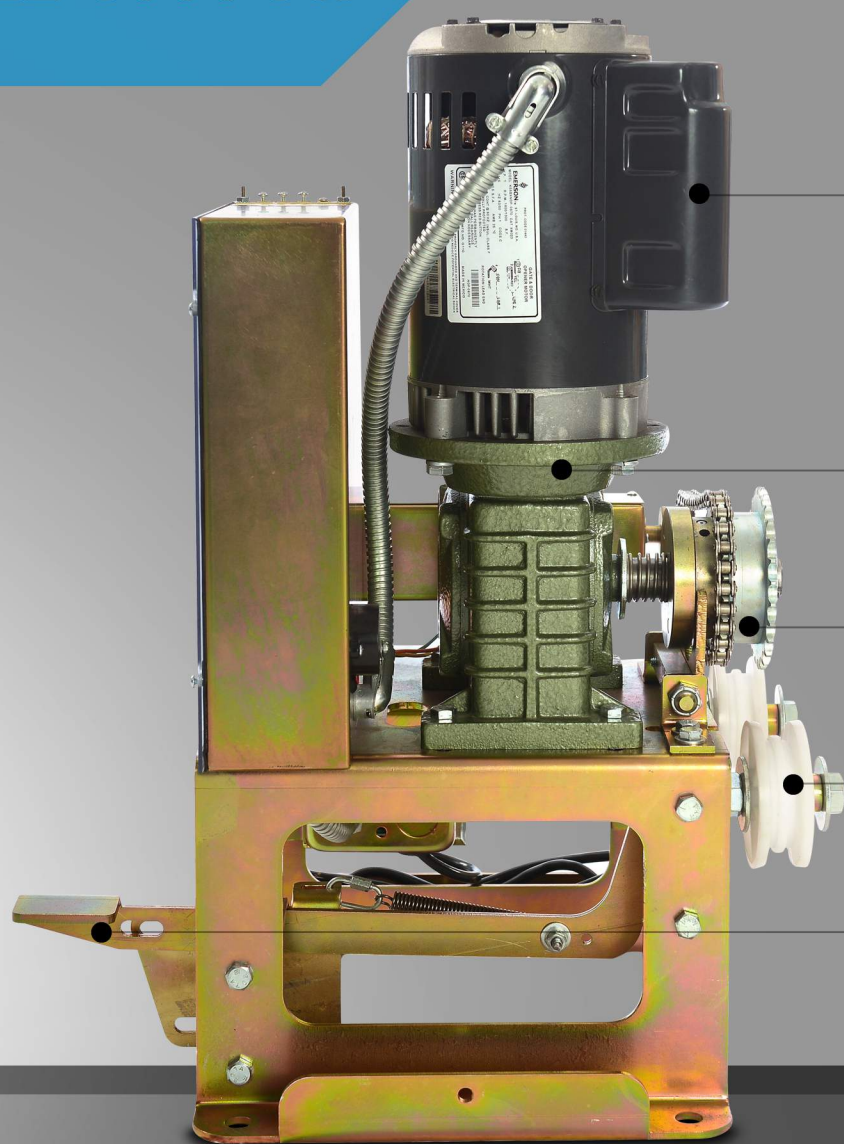


 **UL325 Compliant**  
**UL991 Compliant**

 **MADE IN USA**

**ADVANCED FEATURES    5 YEAR WARRANTY    QUIET OPERATION**

## EAGLE-1000-FR



**MOTOR**  
Continuous duty  
½ horsepower AC motor


**GEAR REDUCER**  
Heavy duty, size 50 gear  
reducer for efficiency


**RELEASE MECHANISM**  
Disengages the operator  
from the chain


**IDLER WHEELS**  
Quiet and smooth  
operation

**FOOT PEDAL**  
Foot Pedal to open

### KEY FEATURES

 **LIGHTNING AND SURGE SUPPRESSION**  
*Built in state of the art lightning and surge protection.*

 **FOOT PEDAL RELEASE**  
*Simply step on the foot pedal and push the gate open when power is not available.*

 **RESIDENTIAL/LIGHT COMMERCIAL**  
*This operator is perfect for a home or for a business that utilizes a smaller gate.*

For easy access the Foot Release Model allows you to push the gate open during a power outage in case of an emergency with the use of a foot pedal, that disengages the operator from the gate. The foot pedal can be secured with a pad lock in the closed or open position and can be used for gates up to 27 feet or 600 pounds. Like all operators in the Eagle-1000 series, the Foot Release Model utilizes the Diamond control board. The most featured packed control board in the industry.

