

# 12 VOLT

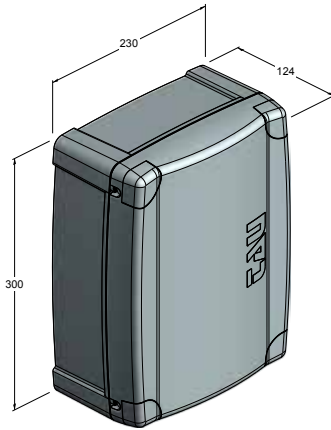
# ELECTRONIC CONTROL UNIT D749MA

For swing gate operators



## 750D749MA

Electronic control unit for one or two DC gate operators with encoder, complete with 433,92 Mhz rolling code radio receiver, battery charger, transformer and enclosure.



### Programmable Functions

**D749MA**

Automatic operation	✓
Semiautomatic operation	✓
Man present functions	✓
Pre-flashing disable	✓
Gate open led with proportional flashing	✓
Gate open led	✓
Programming through TAUPROG handheld device	✓
Photocell test at start of manoeuvre	✓
Disable photocell test	✓
Twin pair of photocells	✓
Close 5 secs after photocells	✓
Working time (TL) adjustment	✓
Gate open time (TCA) adjustment	✓
Gate open time (TCA) disable	✓
Delay wing closing	✓
Electronic force adjustment	✓
Automatic realignment after black-out	✓
Step-by-step operation (openstop-close-stop-open)	✓
No reverse in opening manoeuvre	✓
Pedestrian feature	✓
Clock function	✓
Encoder	✓
Built-in radio card	✓
Slow-down	✓
Receiver preset for digital keypads	✓

### Accessories



**200BATT**  
12 V Battery, 7,2 Ah with cable



**M-030KITKB20**  
Battery cables kit (20 pcs)



**250SM126** **NEW**  
Memory card for 126 radio codes



**750CUP**  
Control unit enclosure protective lid



**750COL**  
Control unit mounting post



**250SM254** **NEW**  
Memory card for 254 radio codes

### Outputs-Inputs

**D749MA**

M1 output	✓
M2 output	✓
Flashing light output	✓
Courtesy light output	✓
Electric lock output	✓
Gate open LED output	✓
12 Vdc output for auxiliaries	✓
24 Vdc output for auxiliaries	✓
Internal photocell FTI output	✓
External photocell FTE output	✓
Open/close input	✓
Pedestrian input	✓
Stop input	✓
Open button input	✓
Close button input	✓
Sensitive edge input	✓



## ELECTRONIC CONTROL UNIT

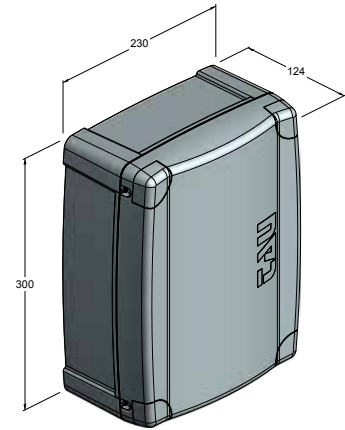
# D760M

**230**  
VOLT

For swing gates operators

### 750D760M

Electronic control unit for one or two 230 V gate operators with soft-stop and built-in 433,92 MHz radio receiver, complete with enclosure.



### Accessories



**750CUP**  
Control unit enclosure  
protective lid



**750COL**  
Control unit mounting post

#### Outputs-Inputs

#### D760M

M1 output	✓
M2 output	✓
Flashing light output	✓
Courtesy light output	✓
Electric lock output	✓
Gate open LED output	✓
12 Vdc output for auxiliaries	
24 Vdc output for auxiliaries	✓
Internal photocell FTI output	✓
External photocell FTE output	✓
Open/close input	✓
Pedestrian input	✓
Stop input	✓
Open button input	
Close button input	
Sensitive edge input	✓

#### Programmable Functions

#### D760M

Automatic operation	✓
Semiautomatic operation	✓
Man present functions	
Pre-flashing disable	✓
Gate open led with proportional flashing	✓
Gate open led	
Limit switch	
Photocell test at start of manoeuvre	✓
Disable photocell test	✓
Twin pair of photocells	✓
Close 5 secs after photocells	✓
Working time (TL) adjustment	
Gate open time (TCA) adjustment	✓
Gate open time (TCA) disable	✓
Delay wing closing	✓
Electronic force adjustment	✓
Automatic realignment after black-out	
Step-by-step operation (openstop-close-stop-open)	✓
No reverse in opening manoeuvre	✓
Pedestrian feature	✓
Clock function	✓
Encoder	
Built-in radio card	✓
Slow-down	✓
Receiver preset for digital keypads	✓

# 12 VOLT

## ELECTRONIC CONTROL UNIT

# K996M

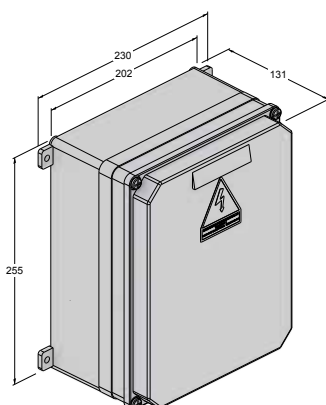


For up-and-over garage door openers



### 200K996M

Electronic control unit for one or two DC up-and-over garage door openers with soft-stop, built-in 433,92 MHz radio receiver and enclosure.



#### Programmable Functions

**K996M**

Automatic operation	✓
Semiautomatic operation	✓
Man present functions	
Pre-flashing disable	✓
Gate open led with proportional flashing	
Gate open led	
Limit switch	
Photocell test at start of manoeuvre	
Disable photocell test	
Twin pair of photocells	
Close 5 secs after photocells	
Working time (TL) adjustment	
Gate open time (TCA) adjustment	✓
Gate open time (TCA) disable	✓
Delay wing closing	
Electronic force adjustment	✓
Automatic realignment after black-out	✓
Step-by-step operation (openstop-close-stop-open)	✓
No reverse in opening manoeuvre	✓
Pedestrian feature	
Clock function	✓
Encoder	✓
Built-in radio card	✓
Slow-down	✓
Receiver preset for digital keypads	✓

#### Accessories



750SCB12C  
Battery charger (optional)



200BATT  
12 V Battery, 7,2 Ah  
with cable

#### Outputs-Inputs

**K996M**

M1 output	✓
M2 output	✓
Flashing light output	✓
Courtesy light output	✓
Electric lock output	
Gate open LED output	
12 Vdc output for auxiliaries	✓
24 Vdc output for auxiliaries	
Internal photocell FTI output	
External photocell FTE output	
Open/close input	✓
Pedestrian input	
Stop input	✓
Open button input	
Close button input	
Sensitive edge input	✓

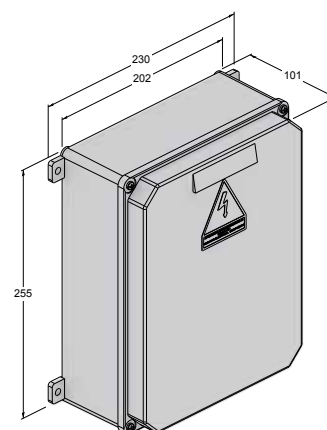
## ELECTRONIC CONTROL UNIT

# K892M

For up-and-over garage door openers

### 200K892M

Electronic control unit for one or two 230 V up-and-over garage door openers with soft-stop, built-in 433,92 MHz radio receiver and enclosure.



#### Outputs-Inputs

#### K892M

M1 output	✓
M2 output	✓
Flashing light output	✓
Courtesy light output	✓
Electric lock output	
Gate open LED output	
12 Vdc output for auxiliaries	
24 Vdc output for auxiliaries	✓
Internal photocell FTI output	
External photocell FTE output	
Open/close input	✓
Pedestrian input	
Stop input	✓
Open button input	
Close button input	
Sensitive edge input	✓

#### Programmable Functions

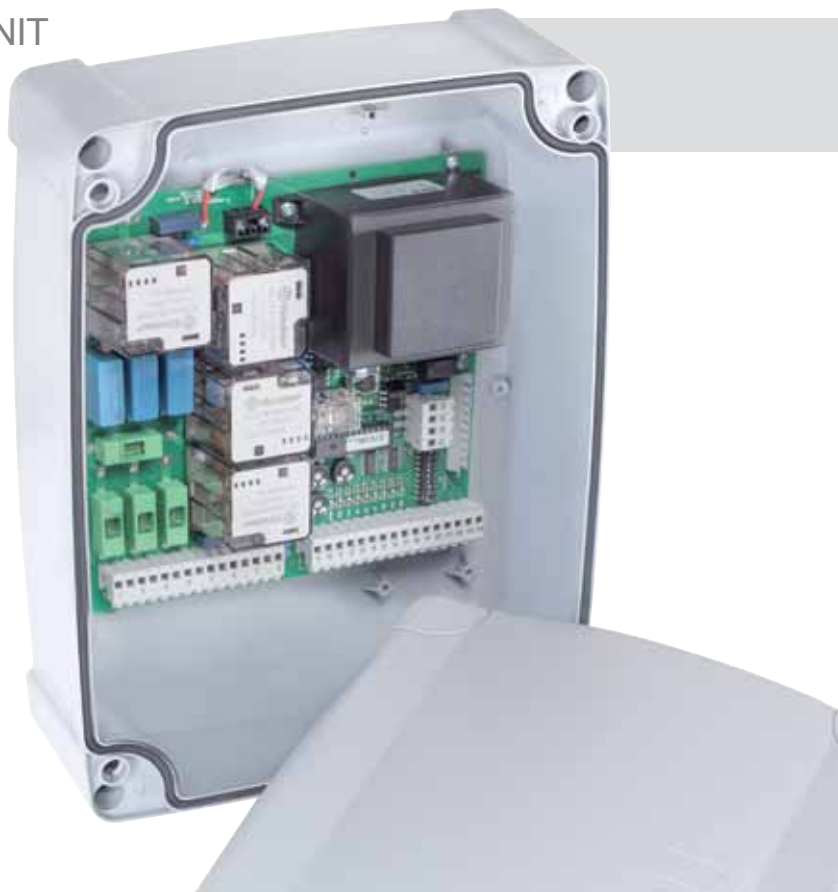
#### K892M

Automatic operation	✓
Semiautomatic operation	✓
Man present functions	
Pre-flashing disable	✓
Gate open led with proportional flashing	
Gate open led	
Limit switch	✓
Photocell test at start of manoeuvre	
Disable photocell test	
Twin pair of photocells	
Close 5 secs after photocells	
Working time (TL) adjustment	✓
Gate open time (TCA) adjustment	✓
Gate open time (TCA) disable	✓
Delay wing closing	
Electronic force adjustment	✓
Automatic realignment after black-out	
Step-by-step operation (openstop-close-stop-open)	✓
No reverse in opening manoeuvre	✓
Pedestrian feature	
Clock function	✓
Encoder	✓
Built-in radio card	✓
Slow-down	✓
Receiver preset for digital keypads	✓

## ELECTRONIC CONTROL UNIT

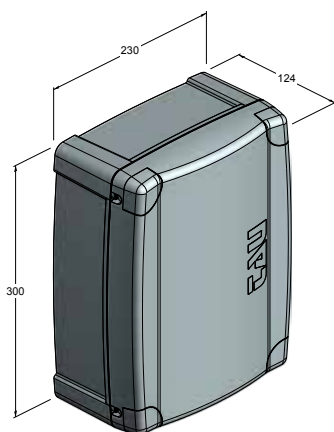
# D703

For commercial sliding gate operators



### 600D703

230/400 V electronic control unit for one gate operator with electrical brake, complete with enclosure.



#### Programmable Functions

**D703**

Automatic operation	✓
Semiautomatic operation	✓
Man present functions	✓
Pre-flashing disable	✓
Gate open led with proportional flashing	✓
Gate open led	✓
Limit switch	✓
Photocell test at start of manoeuvre	✓
Disable photocell test	✓
Twin pair of photocells	✓
Close 5 secs after photocells	✓
Working time (TL) adjustment	✓
Gate open time (TCA) adjustment	✓
Gate open time (TCA) disable	✓
Delay wing closing	✓
Electronic force adjustment	✓
Automatic realignment after black-out	✓
Step-by-step operation (openstop-close-stop-open)	✓
No reverse in opening manoeuvre	✓
Pedestrian feature	✓
Clock function	✓
Encoder	✓
Built-in radio card	✓
Slow-down	✓
Receiver preset for digital keypads	✓

#### Accessories



**750CUP**  
Control unit enclosure protective lid



**750COL**  
Control unit mounting post



**750COP2** NEW  
Control unit box cover with 2 command buttons



**750COP3** NEW  
Control unit box cover with 3 command buttons

#### Outputs-Inputs

**D703**

M1 output	✓
M2 output	✓
Flashing light output	✓
Courtesy light output	✓
Electric lock output	✓
Gate open LED output	✓
12 Vdc output for auxiliaries	✓
24 Vdc output for auxiliaries	✓
Internal photocell FTI output	✓
External photocell FTE output	✓
Open/close input	✓
Pedestrian input	✓
Stop input	✓
Open button input	✓
Close button input	✓
Sensitive edge input	✓

## ELECTRONIC CONTROL UNIT

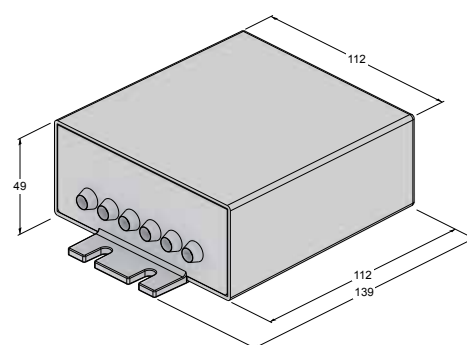
# K330M

For central motors



### 750K330M

Electronic control unit for 230 V central motors with built-in 433,92 MHz radio receiver, complete with enclosure.



#### Outputs-Inputs

**K330M**

M1 output	✓
M2 output	
Flashing light output	✓
Courtesy light output	
Electric lock output	
Gate open LED output	
12 Vdc output for auxiliaries	
24 Vdc output for auxiliaries	✓
Internal photocell FTI output	
External photocell FTE output	✓
Open/close input	✓
Pedestrian input	
Stop input	
Open button input	
Close button input	
Sensitive edge input	

#### Programmable Functions

**K330M**

Automatic operation	✓
Semiautomatic operation	✓
Man present functions	
Pre-flashing disable	
Gate open led with proportional flashing	
Gate open led	
Limit switch	✓
Photocell test at start of manoeuvre	✓
Disable photocell test	✓
Twin pair of photocells	
Close 5 secs after photocells	
Working time (TL) adjustment	✓
Gate open time (TCA) adjustment	✓
Gate open time (TCA) disable	✓
Delay wing closing	
Electronic force adjustment	✓
Automatic realignment after black-out	
Step-by-step operation (openstop-close-stop-open)	✓
No reverse in opening manoeuvre	✓
Pedestrian feature	
Clock function	✓
Encoder	
Built-in radio card	✓
Slow-down	
Receiver preset for digital keypads	