

SWING GATE OPERATORS

SW Series

SWC COMMERCIAL

- 1/2 or 1 HP continuous-duty PSC motor
- 115 VAC or 230 VAC single phase

SWD COMMERCIAL/RESIDENTIAL

- DC-powered battery back-up with advanced soft start/soft stop motor control
- Full-time 1/2 HP DC motor
- Selectable fail-safe or fail-secure modes of operation
- Solar power capable

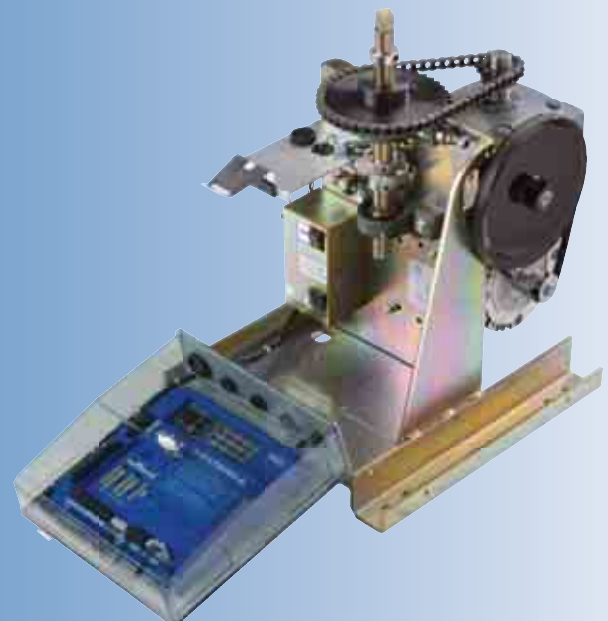
SWR RESIDENTIAL

- 1/2 HP PSC motor
- 115 VAC or 230 VAC single phase

COMMON FEATURES

- Crank style
- Black UV Stabilized polyethylene cover
- Pad mount standard; post mount optional
- Exterior reset button
- UL325/UL991 compliant APeX controller
- Fully integrated radio receiver

Linear[®]
Building On Innovation.



All Models ETL Listed;
UL325 Compliant



Supporters and Proud Members of

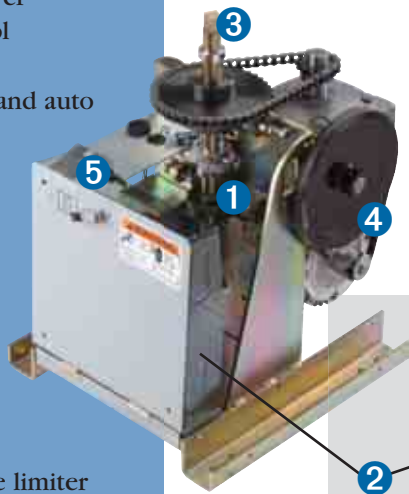


ELECTRICAL

- Integral entrapment sensing system with digital set point for quick accurate adjustment and enhanced safety
- Continuous tone entrapment alarm with reset button
- Integrated programmable warning beeper during gate movement
- LED diagnostic display for ease of setup and troubleshooting
- Selectable pre-start alarm with provision for ADA compliant visual pre-start and run alarm
- Regulated 24 Volt DC power available for access control accessories
- Integrated maximum run and auto close timer (0-9 minutes)
- Built-in networked dual gate capability using 3-wire shielded cable

MECHANICAL

- Heavy-duty, zinc-plated, steel chassis
- Right-angle gear reducer
- 1" diameter output shaft
- Optional adjustable torque limiter
- Heavy-duty pillow block bearings
- Universal pad mount standard; optional post mount kit



1 Cam Operated Limits

Easily accessible through access door

2 APeX Controller

- UL325/UL991 compliant 24 VDC control module
- Full featured for access control, security, and entrapment protection

3 Steel Crank

- Easily removable
- Integrated manual disconnect

4 Heavy-Duty Components

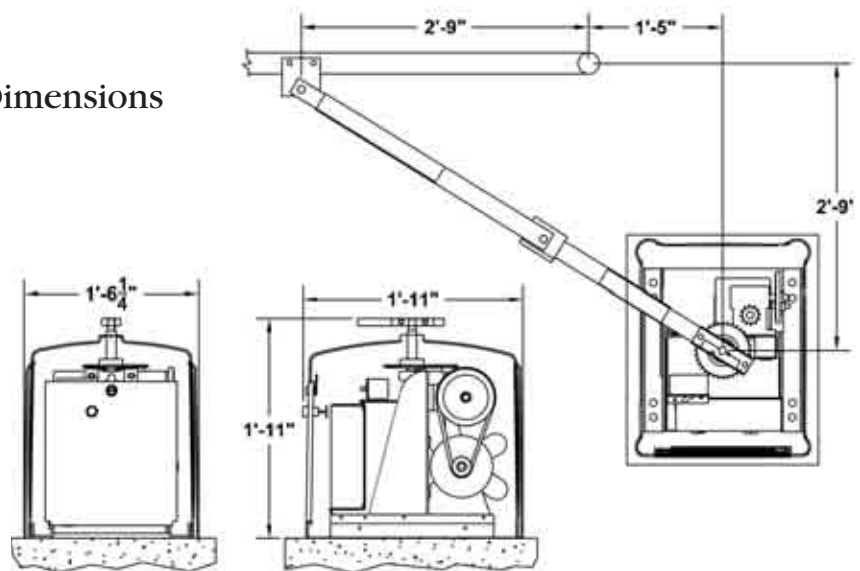
Gear reducer and pillow block bearing for smooth, reliable, quiet power transmission

5 Standard Convenience Features

- Exterior reset button
- Power on/off button
- Accessory power outlet on 115 V machines
- Integrated 3-button station

- Includes APeX Controller with integrated radio receiver, plug-in loop detector capability, surge protection, and easy to read labeling standard.

Dimensions



Linear[®]
Building On Innovation.

(800) 421-1587 • www.linearcorp.com

CAUTIONS



- Automatic gates not for pedestrians
- Automatic gate operators designed for vehicular traffic only; operators are powerful and can cause serious injury or death; **DIRECT ALL PEDESTRIAN TRAFFIC TO SEPARATE PEDESTRIAN GATE**
- UL325 requires use of contact or non-contact anti-entrapment devices
- ASTM F2200 requires that all exposed rollers are covered

SW SERIES SWING GATE OPERATOR SPECIFICATIONS

Model	HP	Voltage (Single Phase)	Drive Type	Maximum Gate Length	Maximum Gate Weight	Seconds to Open	Maximum Cycles
SWC	SWC-2	1/2	115 or 230 V	crank	17'	600 lbs	11-14 continuous duty
	SWC-1	1	115 or 230 V	crank	19'	1000 lbs	11-14 continuous duty
SWD	SWD-211	1/2	115V 24 VDC battery backup (solar charger optional)	crank	18'	700 lbs	11-14 continuous duty
SWR	SWR-211	1/2	115 V	crank	15'	500 lbs	11-14 150/day
	SWR-221	1/2	230 V	crank	15'	500 lbs	11-14 150/day